



**Pump specifications:**

Type.....	B40 BV BMC
Max. flow .....	21 m <sup>3</sup> /hour
Max. head.....	15 mwc
Materials .....	Bronze
Connections.....	1,5" BSP
Free passage.....	18 mm
Pump speed .....	2850 rpm
Electric motor.....	1.1 kW - 2 pole
Voltage .....	230/400V
Assembly .....	Monobloc
Pump casing finish	. Sprayed in RAL 5010
Weight (net) .....	26 kg

**FEATURES**

**B self-priming centrifugal pump**

The B range of pumps has been designed with a clear focus on reliability, efficiency and durability, ranging from 1-1/2" to 12". Featuring an open impeller configuration in combination with a changeable wear plate, facilitating servicing and minimising costs of spares. All B series pumps are fitted with a non return valve in the suction port, eliminating the need for a foot valve in suction line and allowing quick priming.

**Design features**

- Basic, reliable technology
- Large solids handling capacity
- Suitable for use with hot fluids
- Cooled shaft seal
- Extended life due to pump design
- Available with ATEX approval

**Fields of application**

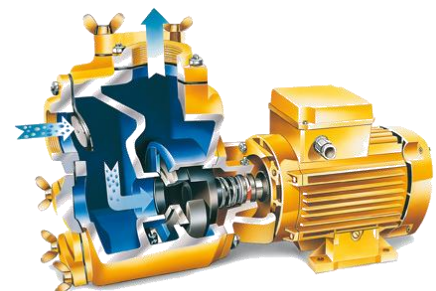
- Shipping
- Industry
- Construction
- Waste water management
- Emergency pump units
- Irrigation
- Agriculture
- Horticulture

**Complete package designed & built by BBA Pumps**

- Complete in-house design & production
- Over 60 years of experience in the market
- Extensive testing facility in-house
- Contemporary & functional design
- Durable & eco-friendly materials
- Custom builds available

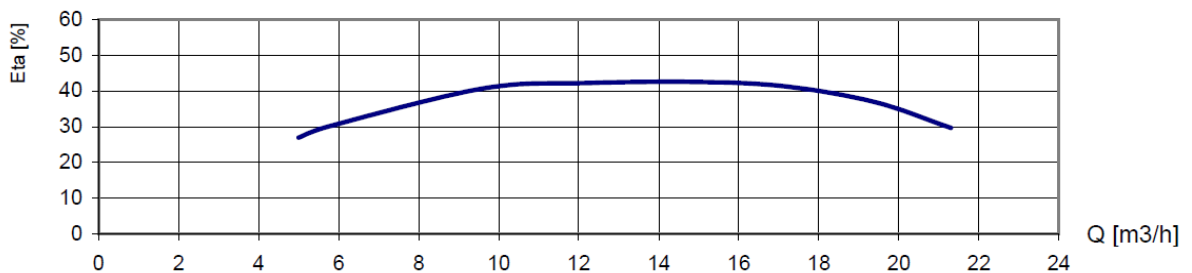
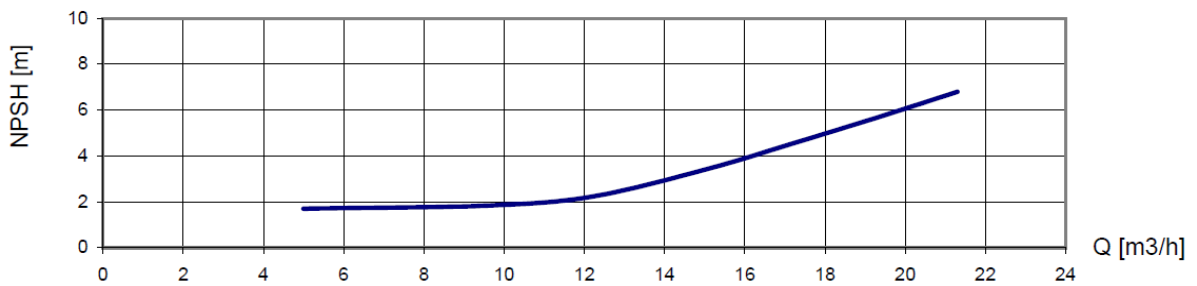
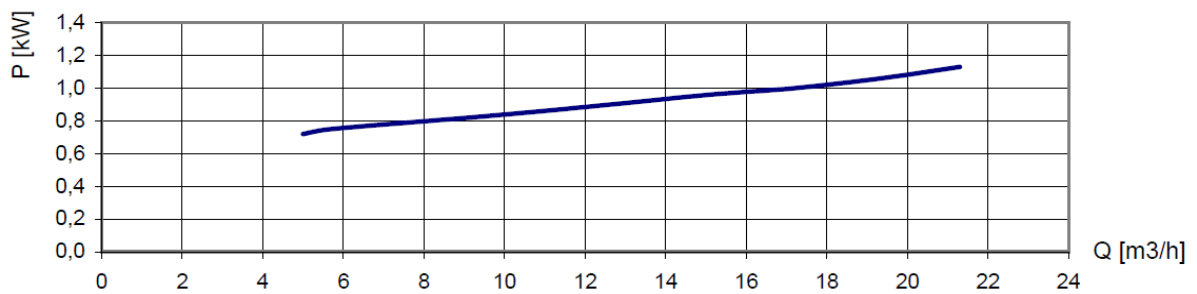
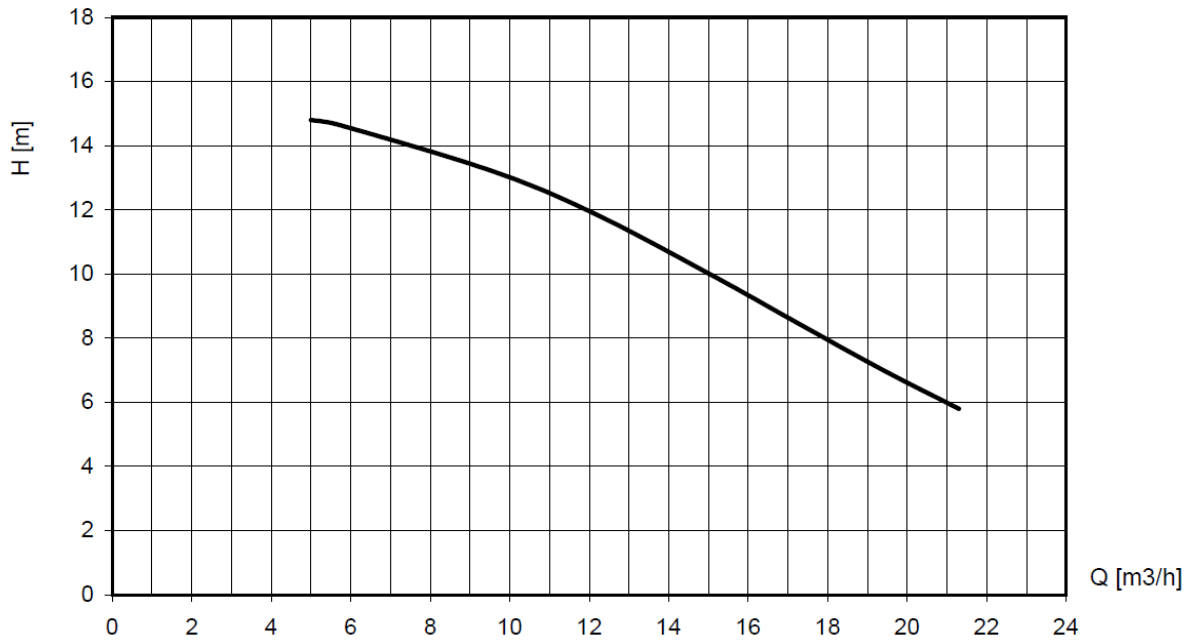
**After sales service & product support**

- Single supplier for parts, spares & accessories
- Dedicated customer help-desk (24h service)
- Dedicated service department in-house
- Global parts distribution network
- Optional global on-site servicing
- Extensive training options available (technical & commercial), on-site or in-house



**PERFORMANCE CURVES (2850 RPM)**

Continuous duty according ISO 9906



**STANDARD TECHNICAL SPECIFICATIONS**

**BBA centrifugal pump**

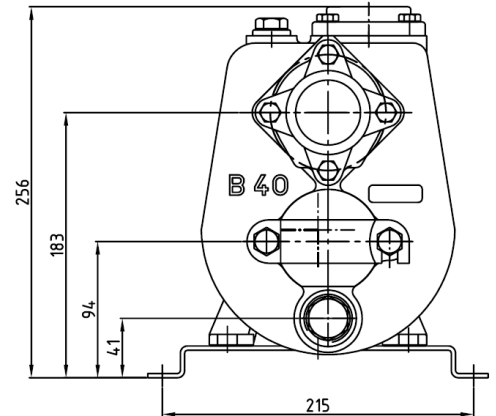
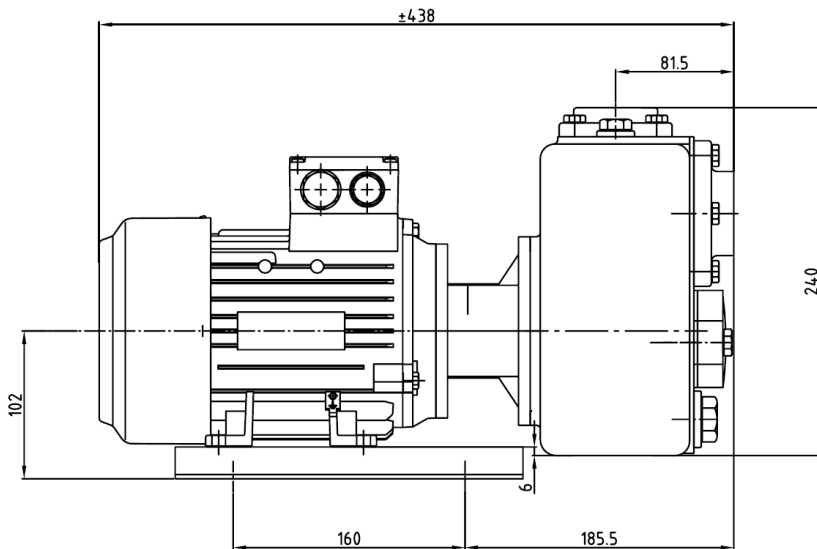
Model..... B40 BVBMC  
Max. flow..... 21 m<sup>3</sup>/hour  
Max. head..... 15 mwc  
Free passage..... 18 mm  
Pump speed..... 2850 rpm  
Connections..... 1,5" BSP

**Electric motor**

Power..... 1.1 kW – 2 pole  
Voltage..... 230/400 V  
Frequency..... 50 Hz  
Mounting..... B3/B14A, IP55, ISO F  
Assembly..... Monobloc

**Materials**

Pump casing .....Bronze  
Wear plate.....Bronze  
Impeller.....Bronze  
Shaft seal .....Mechanical seal  
Seal faces .....Sic / Sic / Viton  
Pump shaft.....Stainless steel 316  
Gaskets.....Viton



**OPTIONAL FEATURES**

**Mechanical seals**

T3W seal..... HM / HM / Viton  
MG1 seal ..... Sic / Sic / EPDM

**Gaskets**

N NBR: Perbunan  
V FPM: Viton  
E EPDM  
T PTFE: Teflon  
K FFKM, Kalrez

**Extras**

+F .....DIN flanges  
+FK.....DIN flanges, stainless steel 316  
+BI.....Bronze impeller; stainless steel 316 shaft  
+BII.....Bronze impeller/wear plate, stainless steel 316 shaft  
+KI.....Stainless steel 316 impeller and shaft  
+KII.....Stainless steel impeller, wear plate and shaft  
+M .....Cutting blade  
+P .....Perma grease cartridge  
+VP .....Grease glass for seal lubrication  
+KF.....Wheelbarrow frame  
60Hz....Motor 440V – 60Hz