



Pump specifications:

Type.....	B50 BVBMC
Max. flow	35 m ³ /hour
Max. head.....	18 mwc
Materials	Bronze
Connections.....	2" BSP
Free passage.....	25 mm
Pump speed	2850 rpm
Electric motor.....	2.2 kW - 2 pole
Voltage	230/400V
Assembly	Monobloc
Pump casing finish	.Sprayed in RAL 5010
Weight (net)	45 kg

FEATURES

B self-priming centrifugal pump

The B range of pumps has been designed with a clear focus on reliability, efficiency and durability, ranging from 1-1/2" to 12". Featuring an open impeller configuration in combination with a changeable wear plate, facilitating servicing and minimising costs of spares. All B series pumps are fitted with a non return valve in the suction port, eliminating the need for a foot valve in suction line and allowing quick priming.

Design features

- Basic, reliable technology
- Large solids handling capacity
- Suitable for use with hot fluids
- Cooled shaft seal
- Extended life due to pump design
- Available with ATEX approval

Fields of application

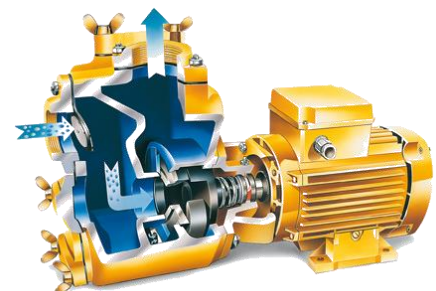
- Shipping
- Industry
- Construction
- Waste water management
- Emergency pump units
- Irrigation
- Agriculture
- Horticulture

Complete package designed & built by BBA Pumps

- Complete in-house design & production
- Over 60 years of experience in the market
- Extensive testing facility in-house
- Contemporary & functional design
- Durable & eco-friendly materials
- Custom builds available

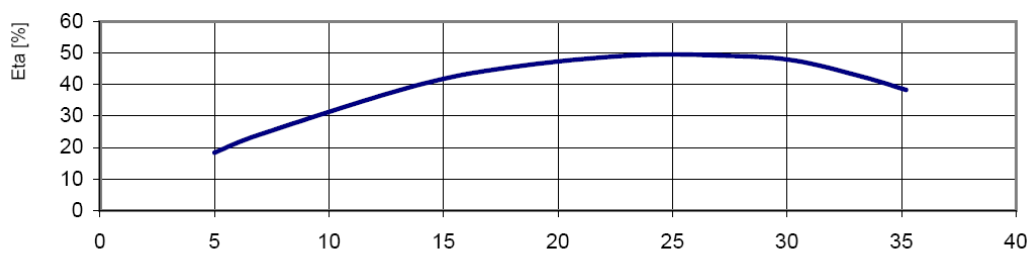
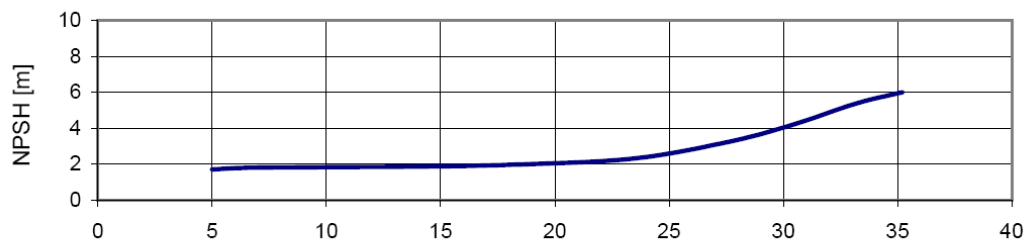
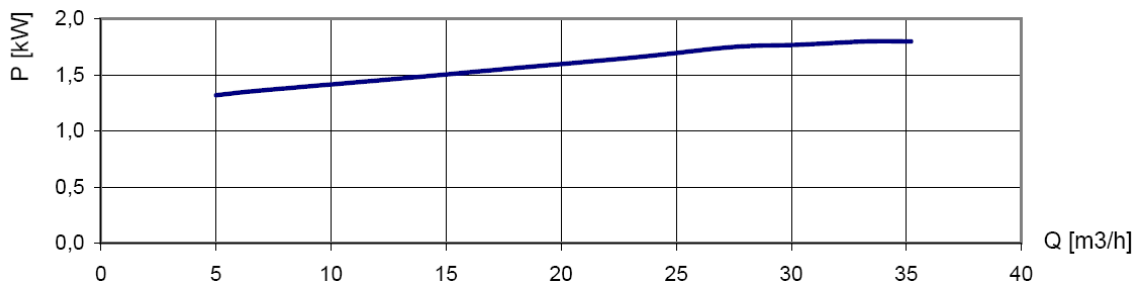
After sales service & product support

- Single supplier for parts, spares & accessories
- Dedicated customer help-desk (24h service)
- Dedicated service department in-house
- Global parts distribution network
- Optional global on-site servicing
- Extensive training options available (technical & commercial), on-site or in-house



PERFORMANCE CURVES (2850 RPM)

Continuous duty according ISO 9906



STANDARD TECHNICAL SPECIFICATIONS

BBA centrifugal pump

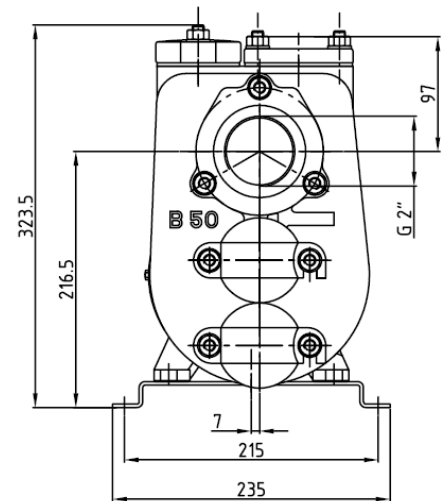
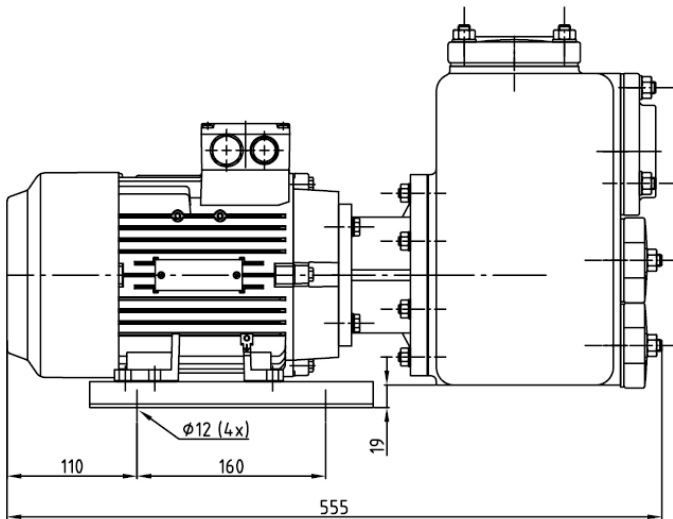
Model..... B50 BVBMC
Max. flow..... 35 m³/hour
Max. head..... 18 mwc
Free passage..... 25 mm
Pump speed..... 2850 rpm
Connections..... 2" BSP

Electric motor

Power..... 2.2 kW – 2 pole
Voltage..... 230/400 V
Frequency..... 50 Hz
Mounting..... B3/B14A, IP55, ISO F
Assembly..... Monobloc

Materials

Pump casingBronze
Wear plate.....Bronze
Impeller.....Bronze
Shaft sealMechanical seal
Seal facesSic / Sic / Viton
Pump shaft.....Stainless steel 316
Gaskets.....Viton



OPTIONAL FEATURES

Mechanical seals

T3W seal..... HM / HM / Viton
MG1 seal Sic / Sic / EPDM

Gaskets

N NBR: Perbunan
V FPM: Viton
E EPDM
T PTFE: Teflon
K FFKM, Kalrez

Extras

+FDIN flanges
+FK.....DIN flanges, stainless steel 316
+BI.....Bronze impeller; stainless steel 316 shaft
+BII.....Bronze impeller/wear plate, stainless steel 316 shaft
+KI.....Stainless steel 316 impeller and shaft
+KII.....Stainless steel impeller, wear plate and shaft
+MCutting blade
+PPerma grease cartridge
+VPGrease glass for seal lubrication
+KF.....Wheelbarrow frame
60Hz....Motor 440V – 60Hz